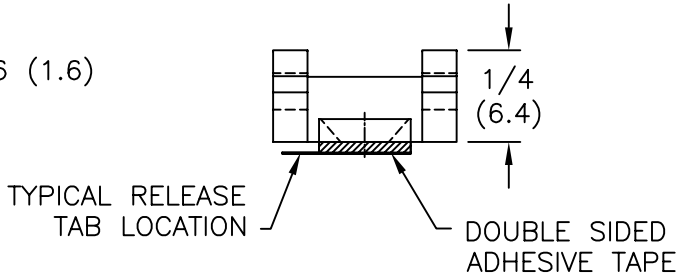
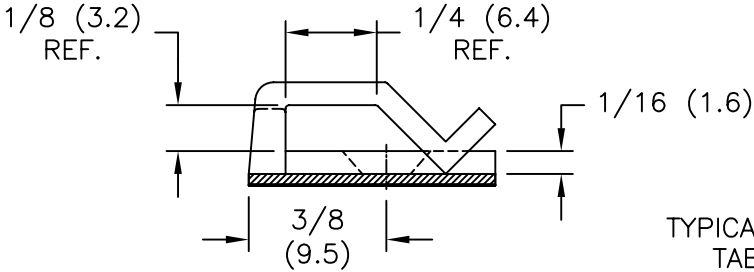
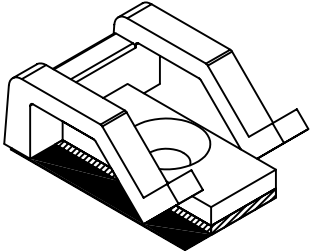
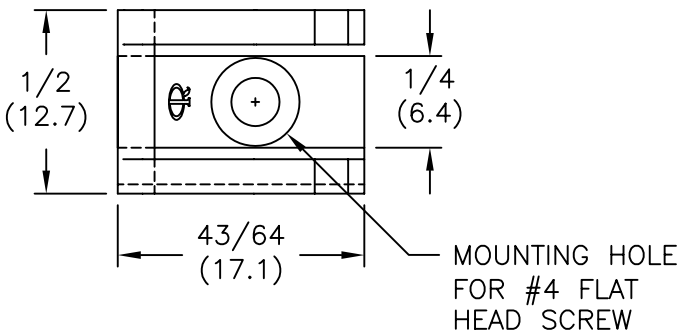


PART NO.	
SFCC-4-01	W/O ADHESIVE
SFCC-4-01A-RT	W/ADHESIVE



- NOTES:
1. MATERIAL: NYLON 6/6 (RMS-01).
 2. COLOR: NATURAL.
 3. TAPE: 1/32 (0.8) THICK, DOUBLE SIDED ADHESIVE (RMS-15).

TITLE: SPLIT FLAT CABLE CLAMPS					DWG IN IN (MM)		FINAL
TOLERANCES UNLESS NOTED .XX=±.010 .XXX=±.005 FRAC=±1/64 ANG=±1'		FILE # SFCC-4	DWN: J.B.	APP:	PART #		
C COMPLETELY RE-DRAWN AND CHANGED FILE# SM 09.10.01		MAT'L: SEE NOTES	DT: 09-19-95	DT:	SEE TABLE		
B 11/32 DIM. CHANGED TO 3/8 MB. 1.24.00		RE: RICHCO, INC.	RICHCO INC. PO BOX 804238, CHICAGO, 60680 (773) 539-4060		PRINT TYPE		
A 11/32 DIM. ADDED J.L. 09.24.97						CA	
REV DESCRIPTION ENGR DATE							